

# Special Foam Grippers

## Foam Grippers MPX

### Special Foam Grippers



### Introduction and application

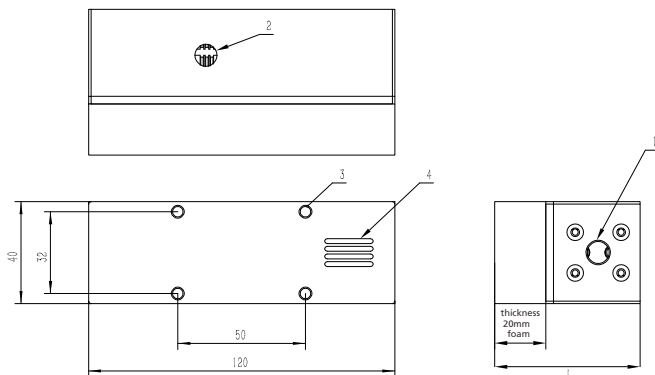
- ◆ Built-in vacuum generator, alumina body, foam wear
- ◆ Small size, easy installation and good adsorption stability
- ◆ Size can be customized

### Ordering Data Special Foam Grippers

Type		Valve technology
MPX-120-40	MPX-220-100	SVK check valve SW throttle valve
MPX-140-130	MPX-250-198	
MPX-160-80	MPX-250-230	
MPX-165-135	MPX-300-200	
MPX-200-165	MPX-300-300	

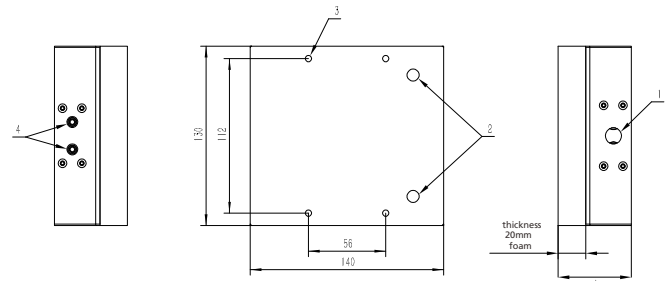
### Design Data Special Foam Grippers

MPX-120-40



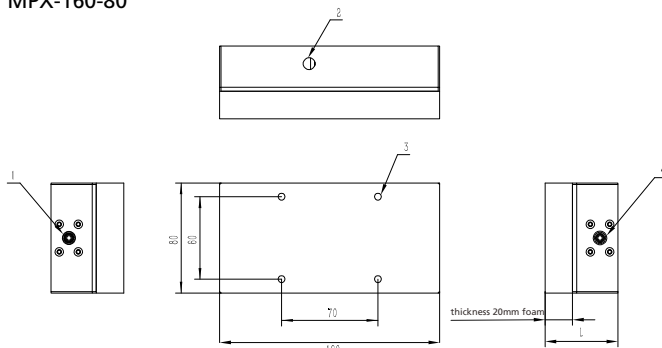
1:G1/8 Compressed air inlet;2: 2-G1/8 Vacuum detection port;3:4-M5 Mounting port;  
4: exhaust vent

MPX-140-130



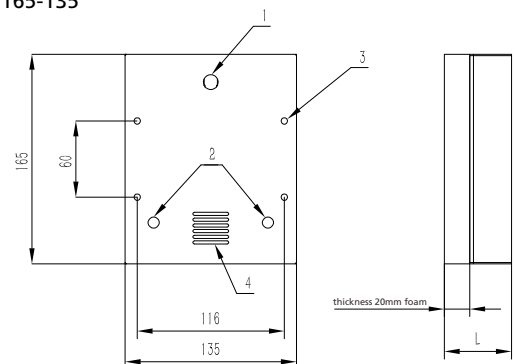
1:G1/8 Compressed air inlet;2: 2-G1/8 Vacuum detection port;3:4-M5 Mounting port;  
4: exhaust vent

MPX-160-80



1:G1/8 Compressed air inlet;2: 2-G1/8 Vacuum detection port;3:4-M5 Mounting port;  
4: exhaust vent

MPX-165-135



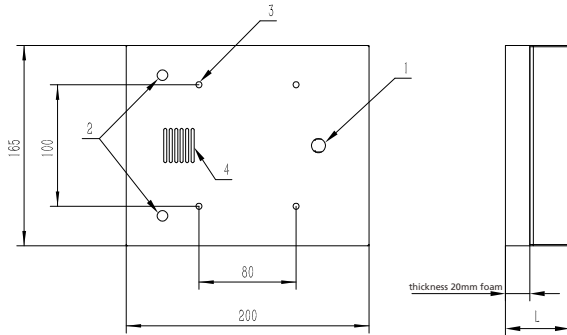
1:G1/8 Compressed air inlet;2: 2-G1/8 Vacuum detection port;3:4-M5 Mounting port;  
4: exhaust vent

Note:SVK Foam Grippers L=60mm SW Foam Grippers L=53mm

# Special Foam Grippers

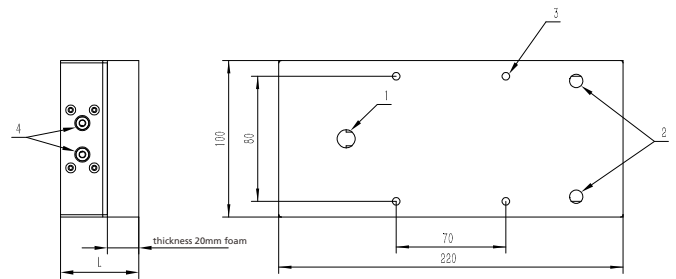
## Foam Grippers MPX

MPX-200-165



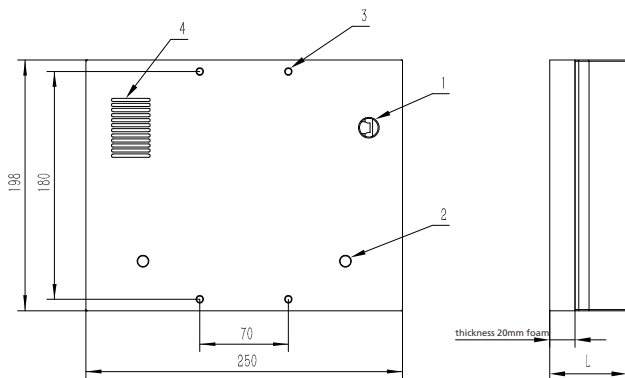
1:G1/4 Compressed air inlet;2- G1/8 Vacuum detection port;3:4-M6 Mounting port;  
4: exhaust vent

MPX-220-100



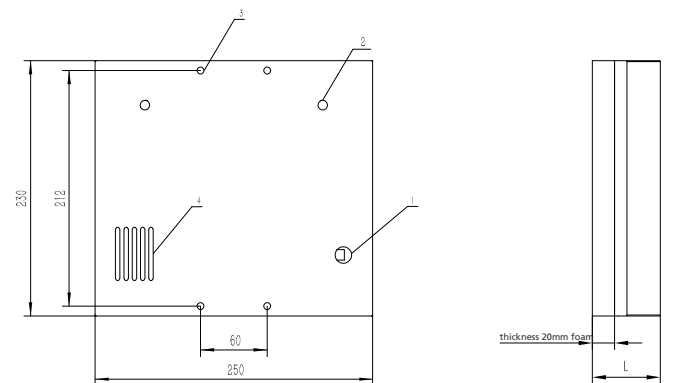
1:G1/4 Compressed air inlet;2- G1/8 Vacuum detection port;3:4-M6 Mounting port;  
4: exhaust vent

MPX-250-198



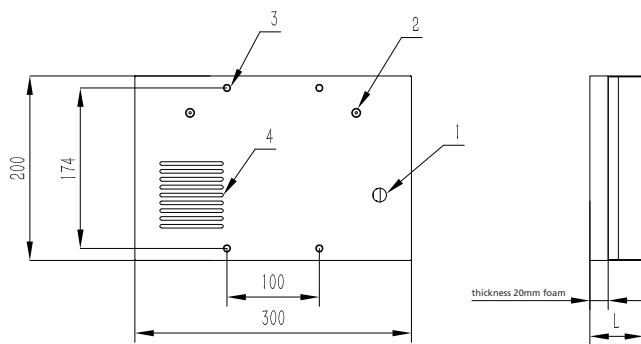
1:G3/8 Compressed air inlet;2- G1/8 Vacuum detection port;3:4-M6 Mounting port;  
4: exhaust vent

MPX-250-230



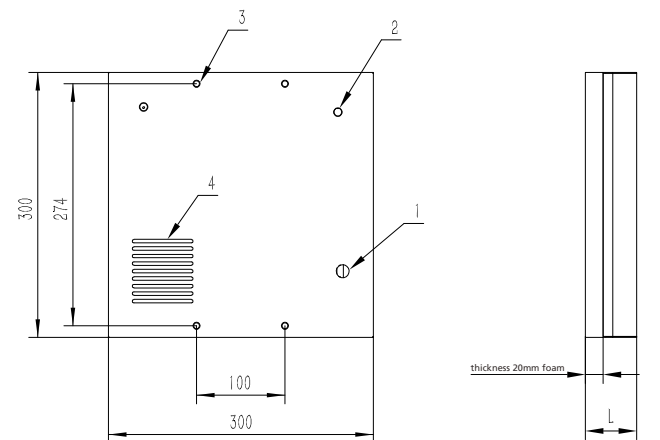
1:G3/8 Compressed air inlet;2- G1/8 Vacuum detection port;3:4-M8 Mounting port;  
4: exhaust vent

MPX-300-200



1:G3/8 Compressed air inlet;2- G1/8 Vacuum detection port;3:4-M8 Mounting port;  
4: exhaust vent

MPX-300-300



1:G3/8 Compressed air inlet;2- G1/8 Vacuum detection port;3:4-M8 Mounting port;  
4: exhaust vent

Note:SVK Foam Grippers L=60mm SW Foam Grippers L=53mm

Combined Suction Cups

Vacuum Suction Cups

Composite Suction Cups

Special Grippers

Vacuum Gripping Systems

Mounting Elements

Vacuum Generators

Valve Technology

Switch And Monitoring

Vacuum Filters